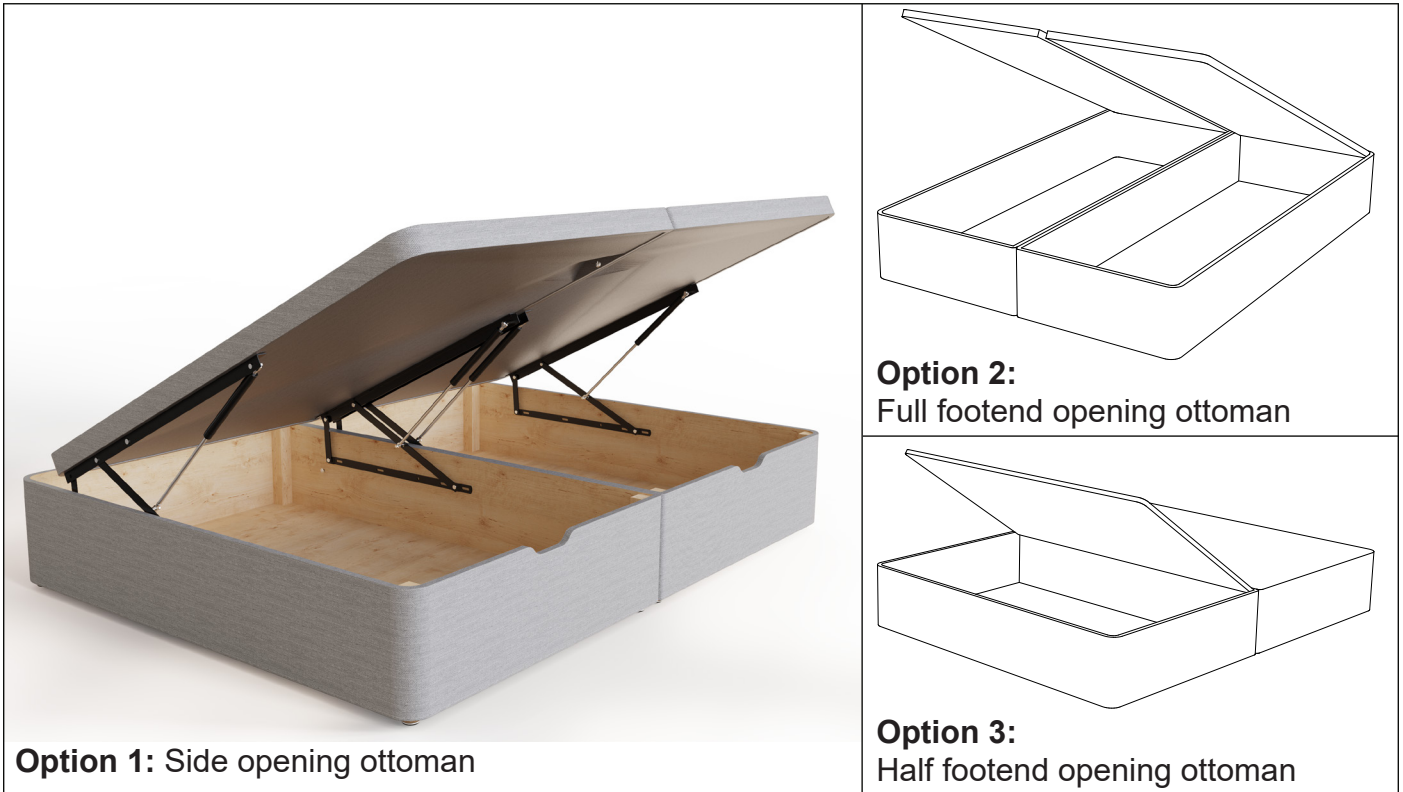


Upholstered Ottoman Base Assembly Instruction Guide

Carefully unpack your divan.
Do not use a knife to cut through packaging.

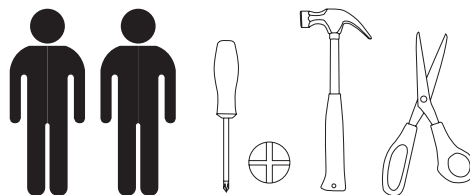


Top tips, important safety information and recommendations

Assembly: 2 person

Required area: 2.5 x 2 metres

Required tools: Cross headed screwdriver, scissors



Important:

Please check that all the parts are present and read the instructions thoroughly before commencing with assembly and retain them for future reference.

It is important to inspect all items BEFORE assembly, if for any reason you need to return this item, you must return it in its original packaging. Assembled items CANNOT be returned.

Tips before you start:

We recommend that all items are assembled close to the place they will be in use and on a protective surface to avoid any unnecessary movement or contact that may damage the product.

For ease during assembly identify the parts required before commencing each step, taking care to avoid over-tightening the fittings as this may damage the furniture.

Safety:

Take extreme care when handling and lifting heavy products to avoid personal injury or damage to the item. Keep children well away from the assembly area due to the heavy products as well as choking hazard from small components.

Warning:

Please use this product for the specified purpose only, it is not to be stood on. If parts are missing, broken, damaged or worn stop using the product until fully repaired.

Failure to follow safety and warning information could result in serious injury.




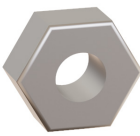

Recommendations:

Please periodically check all fittings and re-tighten if necessary.

To avoid fire risks, warping and surface de-lamination keep away from strong heat sources and never allow liquid to remain on your furniture. To clean, lightly dampen a soft cloth and wipe, buffing with a dry clean cloth.

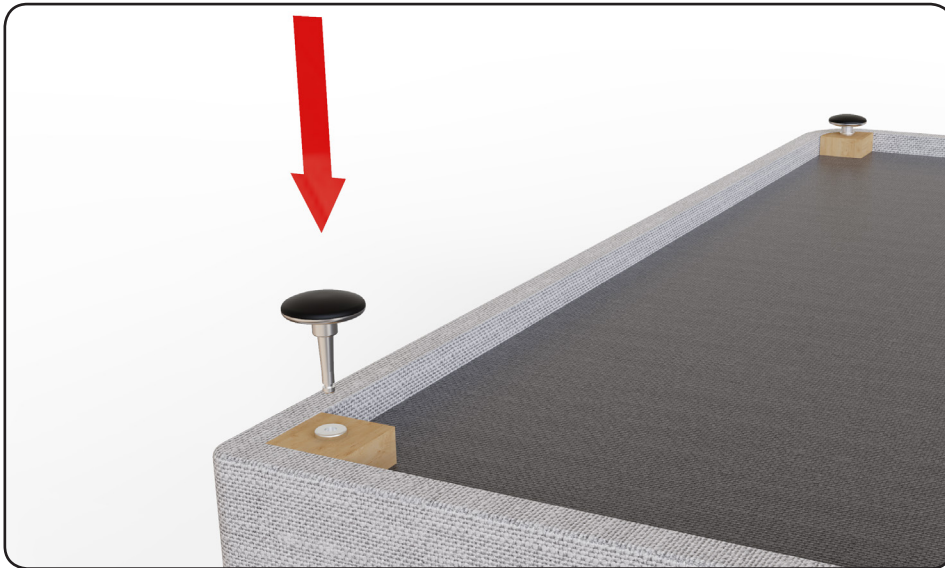
Supplied Fittings

33SR-16 2019-08-19

C	E	P	U
	 35mm	 50mm	
Opt: 1, 2 & 3 X 8	Opt: 1, 2 & 3 X 2	Opt:1 & 2 X 1 Opt:3 X 0	Opt:1 & 2 X 4 Opt:3 X 2
			

Please check you have the correct fittings and read through before commencing with assembly.

Step 1

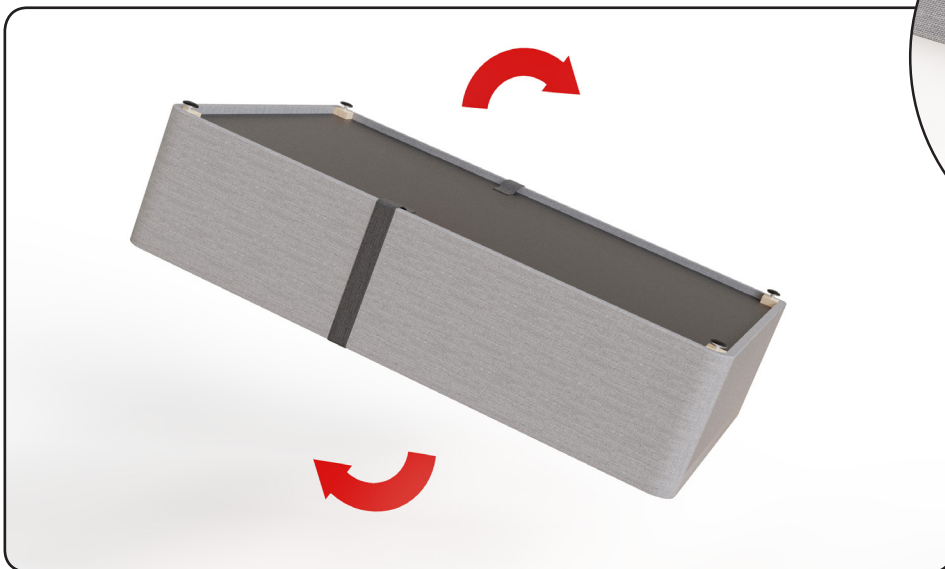


Turn both base units upside down, insert 8x glides (C) into sockets.

Do not hit with hammer!

Carefully turn your bed over
Note: this is a two person lift

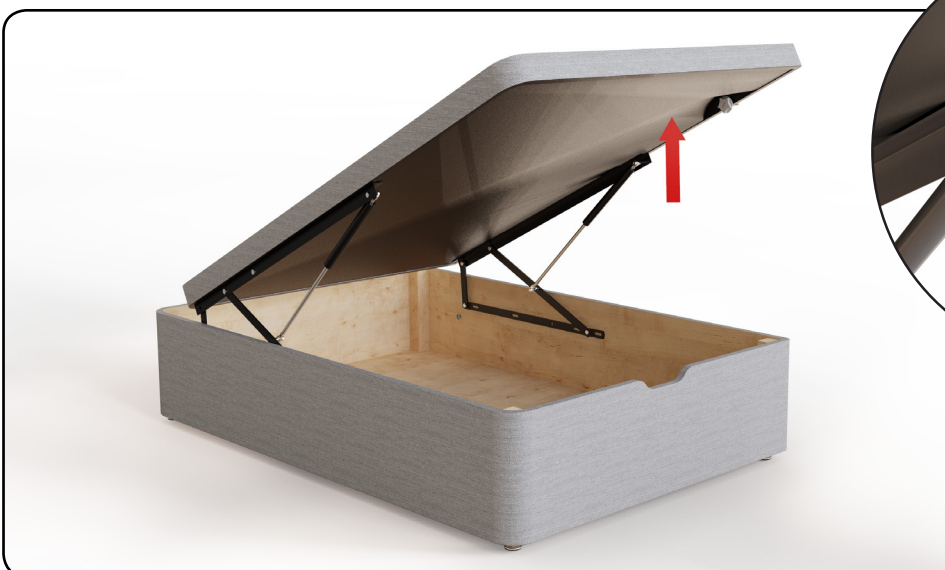
Step 2



Flip bed sections over so they are the correct way up, then cut the straps at the bottom of the base. (This is a two man lift)

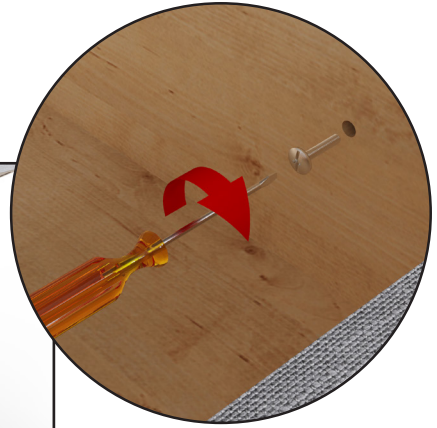
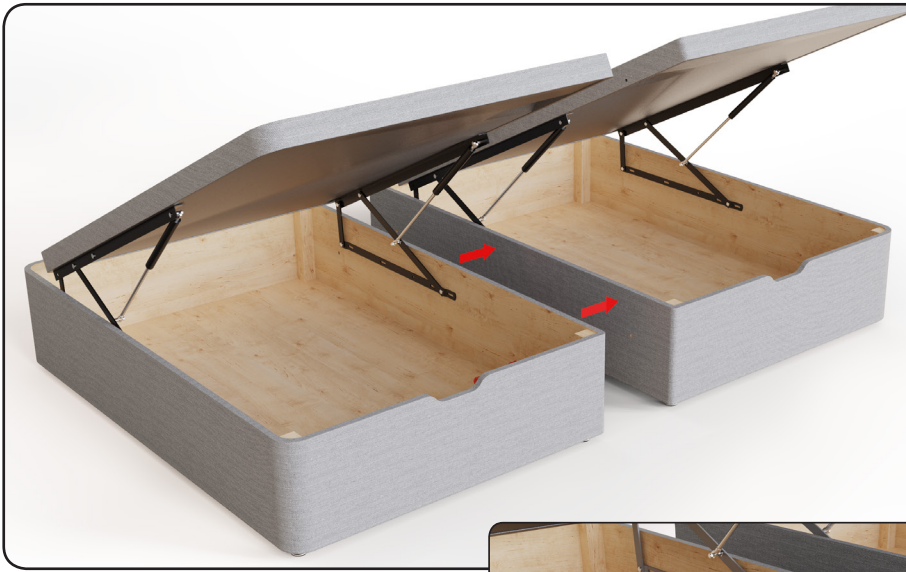
Do not pull off as this could damage the fabric

Step 3



lift the tops up and attach the gas struts using 4x nut (U) for options 1 & 2 or 2x nut (U) for option 3.

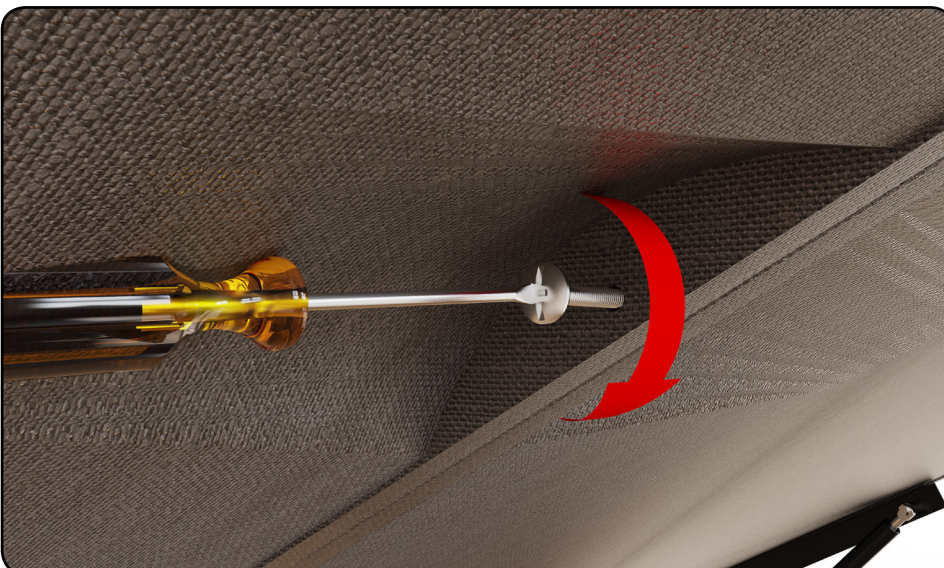
Step 4



Using the screwdriver connect bases into position using 2x screws (E).



Step 5



Secure top using bolt (P)

Only for ottoman options 1 & 2.